

Backstop[®] NT - Smooth



A High Performance, Roller Applied
Water-Resistive Membrane and Air Barrier

DUK181

Backstop NT - Smooth Application Instructions

CHECKLIST PRIOR TO THE INSTALLATION OF BACKSTOP NT - SMOOTH

Project Conditions

- Air and surface temperatures for application of Backstop NT - Smooth must be 4 °C (40 °F) or above and must remain so for a minimum of 24 hours thereafter.
- Ensure that all roof-to-wall flashings, wall to deck flashings, run-off diverters (i.e. kick-outs), or other penetration flashings, are installed where required as needed to direct water to the exterior of the building envelope. Particular attention must be paid to the eaves/chimney intersections, sloped roof/wall intersections, decks and windows.
- Protect surrounding areas and surfaces during installation of the Backstop NT - Smooth.
- Backstop NT - Smooth should not be left exposed to weather and UV more than 30 days, prior to being covered with one of Dryvit's Exterior Insulation and Finish Systems.

MATERIALS REQUIRED FOR INSTALLING DRYVIT'S BACKSTOP NT - SMOOTH

Materials Supplied by Dryvit UK Ltd.

- Dryvit Backstop NT - Smooth
- Dryvit Backstop NT - Texture (if Needed)
- Dryvit Flashing Tape™ (if needed)
- Dryvit Grid Tape™ (if needed)
- Dryvit Flashing Tape Surface Conditioner (if needed)

TOOLS REQUIRED FOR THE INSTALLATION OF DRYVIT'S BACKSTOP NT - SMOOTH

- 19 mm (3/4 in) nap paint roller
- 13 mm (1/2 in) nap roller
- Appropriate spray equipment (if needed)

I. Mixing

- A. Open the bucket with a utility knife or lid-off.
- B. Due to shipping and storage, there may be some settling of materials. Prior to using, mix the material to a smooth homogeneous consistency using a Wind-lock B-M1 or B-M8, or equivalent, mixing blade powered by a 13 mm (1/2 in) drill, at 400-500 rpm. **CAUTION: Do not over-mix or use other types of mixing blades as air entrapment and product damage may occur and result in workability and performance problems.**
- C. Do not dilute the product or add any foreign materials to the Backstop NT - Smooth product.

II. Substrate Check

- A. Ensure that the substrate is of a type approved in the Dryvit Backstop NT - Smooth Specification, DUK180. **CAUTION: Application over masonry, concrete, oriented strand board (OSB) sheathing and pressure treated or fire retardant treated wood is not recommended.**
- B. Ensure that ambient and surface temperatures are minimum 4 °C (40 °F) and rising.
- C. Ensure that the substrate is dry. Plywood moisture content shall not exceed 19% as measured by a probe type moisture meter.
- D. The substrate is flat within 6 mm (1/4 in) in a 1.2 m (4 ft) radius.
- E. Ensure that sheathing gaps do not exceed 6 mm (1/4 in). Larger gaps must be corrected by replacing the sheathing material.
- F. Notify the general contractor and/or architect and/or owner of all discrepancies. Do not proceed with work until discrepancies have been corrected.

III. Surface Preparation

- A. The substrate shall be prepared so as to be free of foreign materials such as oil, dust, dirt, paint, wax, water repellents, moisture, frost and any other materials that may inhibit adhesion.

IV. Backstop NT - Smooth Application

- A. General: The Dryvit Backstop NT - Smooth can be applied using a roller, or sprayed and backrolled, over the approved substrates. Sheathing substrates shall have fastener heads spotted and joints treated with Backstop NT - Texture and grid tape prior to Backstop NT - Smooth application.
- B. Sheathing Substrates:
 - 1. If applied with roller or spray equipment all fastener heads must be spotted.
 - 2. If applying with a trowel spotting of fasteners is not necessary.
 - 3. Joints need to be treated with Backstop NT - Texture and grid tape prior to Backstop NT - Smooth application, in accordance with Backstop NT - Texture Application Instructions, DUK177
 - 4. Allow to dry for a minimum of 1 hour or until dry to the touch. Cool humid conditions may require longer drying times.
- C. Roller Application
 - 1. Using a 19 mm (3/4 in) nap roller, apply the Backstop NT - Smooth over the entire wall surface, including previously treated joints. **NOTE: If the roller pulls material back out of the sheathing joints, it indicates that the joint material is not sufficiently dry.**
 - 2. The Backstop NT - Smooth material should be applied in a uniform, continuous film at the recommended coverage rate. **NOTE: Substrates with a surface texture, or high porosity, will require more material.**

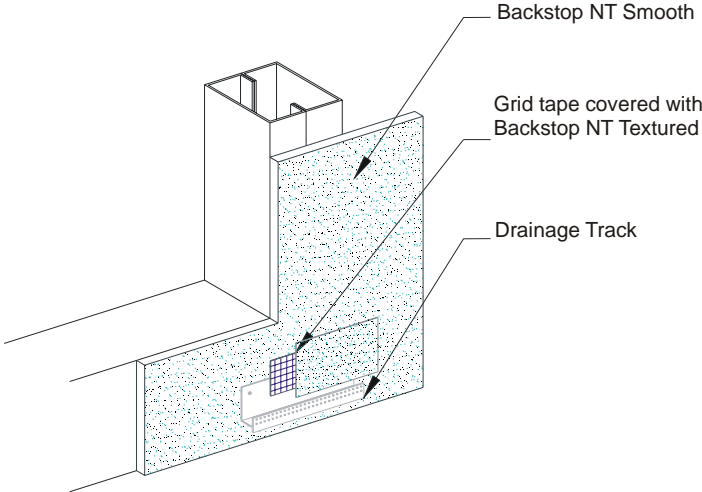
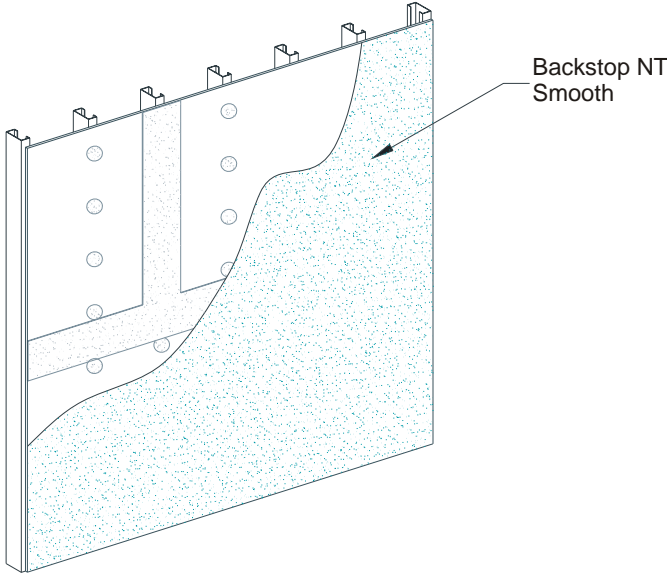
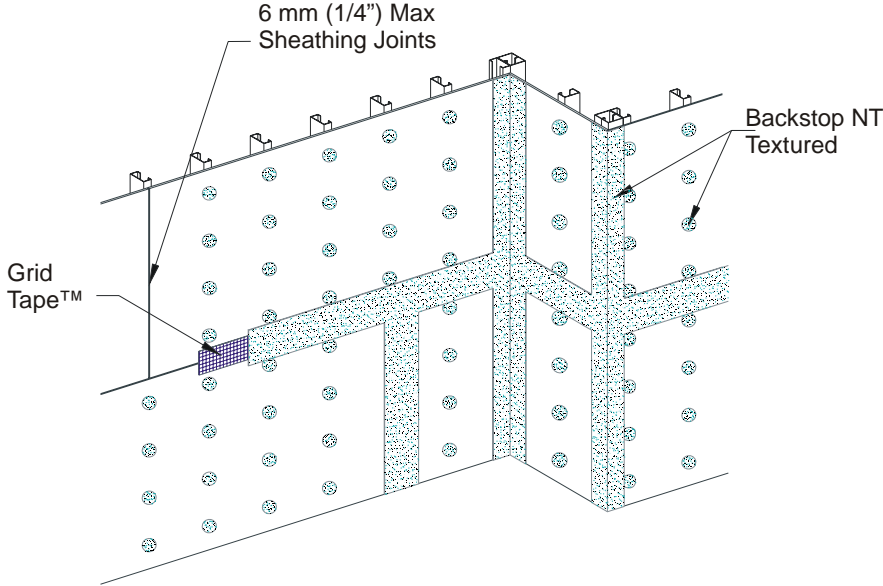
Backstop NT – Texture and Backstop NT – Smooth Usage/Application Chart				
Substrate	Location	Product	Tool	Approximate Coverage Per Pail ^e
Exterior Grade Gypsum Sheathing	Joints ^a	Backstop NT - Texture	Trowel	91 m (300 lin. ft.)
	Face ^f	Backstop NT – Texture OR	Trowel or FoamPRO #58 Roller ^b	For both tools 23-28 m ² (250-300 ft ²)
		Backstop NT - Smooth	13 mm (1/2 in) Nap Roller	46 m ² (500 ft ²) ^c
DensGlass Gold®	Joints ^a	Backstop NT - Texture	Trowel	91 m (300 lin. ft.)
	Face ^f	Backstop NT – Texture OR	Trowel	23-28 m ² (250-300 ft ²) [includes joints]
		Backstop NT - Smooth	19 mm (¾ in) Nap Roller	37 m ² (400 ft ²) ^c
Exterior Grade Plywood and Exterior Cement Board	Joints ^a	Backstop NT - Texture	Trowel	91 m (300 lin. ft.)
	Face ^f	Backstop NT – Texture OR	Trowel or FoamPRO #58 Roller ^b	For both tools 23-28 m ² (250-300 ft ²)
		Backstop NT - Smooth	13 mm (1/2 in) Nap Roller	37 m ² (400 ft ²) ^c
Concrete and Masonry ^d	Face	Backstop NT - Texture	FoamPRO #58 Roller ^b	11-14 m ² (125-150 ft ²) 2 coats

^a Tape the joints with Dryvit Grid Tape prior to application of Backstop NT – Texture at joints and screw heads.
^b Up to 1 pint (16 oz) of water may be added to a 60 lb pail of Backstop NT – Texture for roller or spray applications only. The FoamPRO #58 roller cover (FoamPRO Mfg., Inc., www.foampromfg.com) is available at home supply stores.
^c Because of application methodology and absorptive surface differences, two coats may be required to obtain this coverage.
^d Apply a 6 ft x 6 ft test area with coverage as indicated in the chart, before proceeding with the entire job. If there are voids in the dried BSNT – Texture, particularly at the mortar joints, the job should be parged with Genesis, 24 hours prior to BSNT – Texture roller application.
^e Backstop NT – Texture and Smooth should be applied at the recommended coverage rates to form a continuous film free of voids at a dry film thickness of approximately 3 mils.
^f Backstop NT – Texture (with up to 1 pint water addition per 60 lb. pail) or Smooth may be sprayed and backtrowelled/backrolled.

D. Spray Application

1. Backstop NT - Smooth may be applied to the wall using spray equipment and backrolled using a 19 mm (3/4 in) nap roller.

- E. Prior to proceeding, check the wall to ensure that the Backstop NT - Smooth is continuous and spot any visible voids with additional Backstop NT - Smooth material.
- F. For areas where the secondary barrier is required to lap onto flashing or other material, it is recommended that Dryvit Flashing Tape be used to achieve the transition.
- G. Under normal conditions the wall will be ready to receive flashing tape (when necessary) and adhesively applied EPS insulation after a minimum 6-hour drying period. As with all products that dry by evaporation, the drying rate will depend on the environmental conditions and porosity of the substrate. Cool damp weather will require longer drying times.
- H. Also, during cool, damp weather, Dryvit Flashing Tape Surface Conditioner may be necessary to promote/assist in proper flashing tape adhesion.
- I. Install the specified Dryvit Exterior Insulation and Finish System per published installation instructions for the specific system being used.



DISCLAIMER

Information contained in these application instructions conforms to standard detail and product recommendations for the installation of the Dryvit Backstop NT - Smooth product as of the date of publication of this document and is presented in good faith. Dryvit UK Ltd. assumes no liability, expressed or implied, as to the architecture, engineering or workmanship of any project. To ensure that you are using the latest, most complete information, contact:

Dryvit UK Ltd.
Unit 4 Wren Park
Hitchin Road
Shefford, Bedfordshire
SG17 5JD

Dryvit UK Ltd.
Unit 4 Wren Park
Hitchin Road
Shefford, Bedfordshire
SG17 5JD
01462 819555
www.dryvit.co.uk

